

CV-305KZ

12G/6G/3G/HD/SD-SDI to HDMI 2.0 Converter

User Manual



TABLE OF CONTENTS

INTRODUCTION	1
FEATURES	1
PACKAGE CONTENTS.....	1
SPECIFICATIONS.....	2
PANEL DESCRIPTIONS	3
CONNECTION DIAGRAM	4
SUPPORTED RESOLUTIONS.....	5
SIGNAL MEASUREMENT.....	5
WARRANTY	6

rev: 201110
Made in Taiwan

INTRODUCTION

The **CV-305KZ 12G/6G/3G/HD/SD-SDI to HDMI 2.0 Converter** provides a professional way to convert 12G/6G/3G/HD/SD-SDI to HDMI 2.0 in real time. The conversion between SDI and HDMI is pure digital and guarantees no loss transformation for both audio and video. Plus, with up to 8 channel audio support, 7.1 channel or 5.1 channel audio becomes available. The CV-305KZ also provides one low jitter and re-clocked output for daisy chain or multiple monitors.

FEATURES

- Supported high-definition (HD) formats:
NTSC 525@59.94, PAL 625@50, 720p@50,720p@59.94, 720p@60, 1080i@50, 1080i@59.94, 1080i@60, 1080p@23.97, 1080p@24, 1080p@25, 1080p@29.97, 1080p@30, 1080p@50, 1080p@59.94, 1080p@60, 4K2K@23.98, 4K2K@24, 4K2K@25, 4K2K@29.97, 4K2K@30, 4K2K@50, 4K2K@59.94, 4K2K@60, Bit Rate: 11.88 Gbps, 11.88/1.001 Gbps, 5.94 Gbps, 5.94/1.001 Gbps, 2.97 Gbps, 2.97/1.001 Gbps, 1.485 Gbps, 1.485/1.001 Gbps, 270 Mbps
- Auto 12G/6G/3G/HD/SD-SDI detection
- Support HDMI 2.0 & below
- One SDI compliant output and one HDMI compliant output
- USB firmware upgradable for expanding compatibility
- Wall-mount housing design for easy installation

PACKAGE CONTENTS

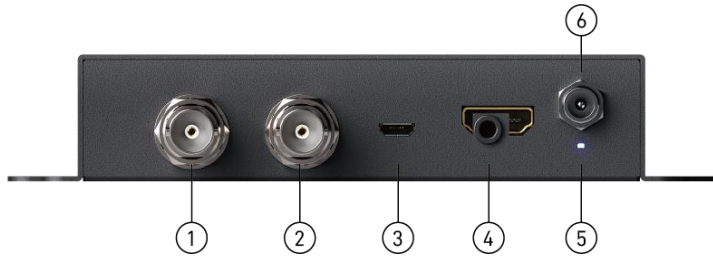
- 1x CV-305KZ
- 1x 12V/2A power supply unit
- 1x User Manual

SPECIFICATIONS

Model Name		CV-305KZ
Technical		
SDI standards		12G/6G/3G/HD/SD-SDI
HDMI standards		HDMI 2.0
Auto 12G/6G/3G/HD/SD-SDI detection		Yes
Input video bandwidth		12Gbps
Output video bandwidth		up to 18Gbps
Video input support		[12G] 4K2K @50/59.94/60Hz (4:2:2) [6G] 4K2K @23.98/24, 25, 29.97, 30Hz (4:2:2) [3G] 1080p @50/59.94/60Hz (4:2:2) [HD] – 720p @50/59.94/60Hz,1080i @50/59.94/60Hz, 1080p @23.98/24/25/29.97/30Hz (4:2:2) [SD] – NTSC @59.94Hz, PAL @50Hz (4:2:2)
Video output support		up to 4K2K@60 (4:4:4 8bits)*
Input signal		SDI
Output signal		1x HDMI + 1x SDI
Output impedance(SDI)		75Ω
Synchronization mode		Internal synchronization or external synchronization
Cable equalization		[12G-SDI] up to 80m (264ft) [6G-SDI] up to 110m (363ft) [3G-SDI] up to 220m (726ft)
Audio support		PCM 7.1 (48KHz Fs sample rate)
PCB stack-up		6-layer board [impedance control — differential 100Ω; single 50Ω]
Input		1x BNC [SDI]
Output		1x HDMI + 1x BNC [SDI]
BNC connector		75Ω inter-locked socket
HDMI connector		Type A [19-pin female]
Mechanical		
Housing		Metal enclosure
Dimensions [L x W x H]	Model	153 x 122 x 27mm [6" x 4.7" x 1"]
	Package	263 x 170 x 97mm [10.3" x 6.7" x 3.8"]
	Carton	512 x 364 x 288mm [19.7" x 14.3" x 11.3"]
Weight	Model	430g [1 lbs]
	Package	866g [1.9 lbs]
Power supply		12V 2A DC
Power consumption		9 Watts [max]
Operation temperature		0~40°C [32~104°F]
Storage temperature		-20~60°C [-4~140°F]
Relative humidity		20~90% RH [no condensation]

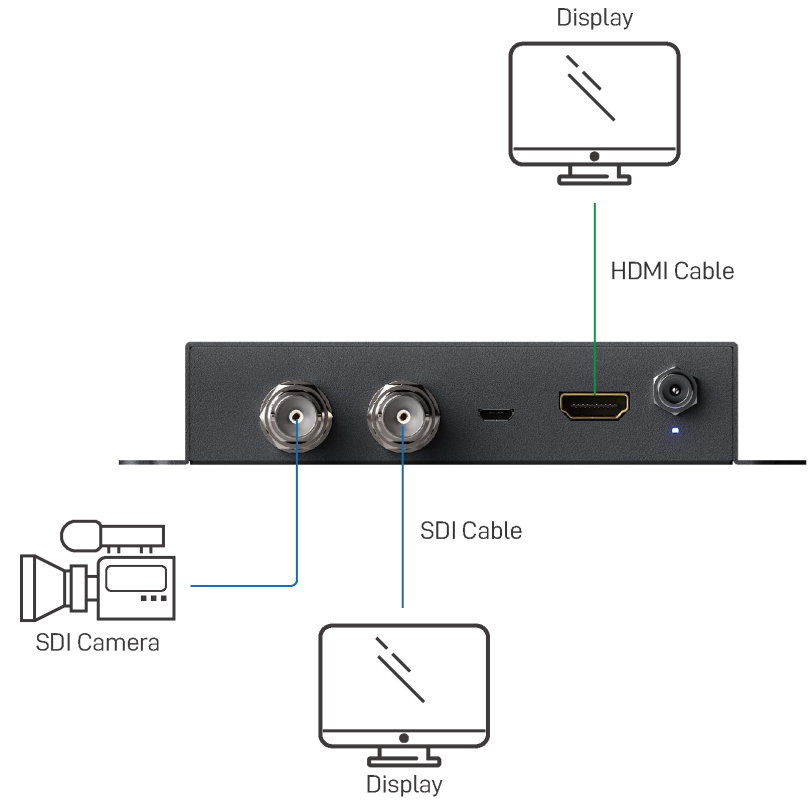
* **ONLY** input resolution supports 10/12 bit

PANEL DESCRIPTIONS



1. **SDI IN:** 12G/6G/3G/HD/SD-SDI input
2. **SDI LOOPOUT:** 12G/6G/3G/HD/SD-SDI output
3. **Micro USB:** Micro-USB port for F/W update
4. **HDMI OUT:** Connects to a HDMI display with a HDMI male-male cable
5. **LED INDICATOR:** Power indicator LED.
6. **+12V DC:** Interlocking power jack for 12V DC power supply unit

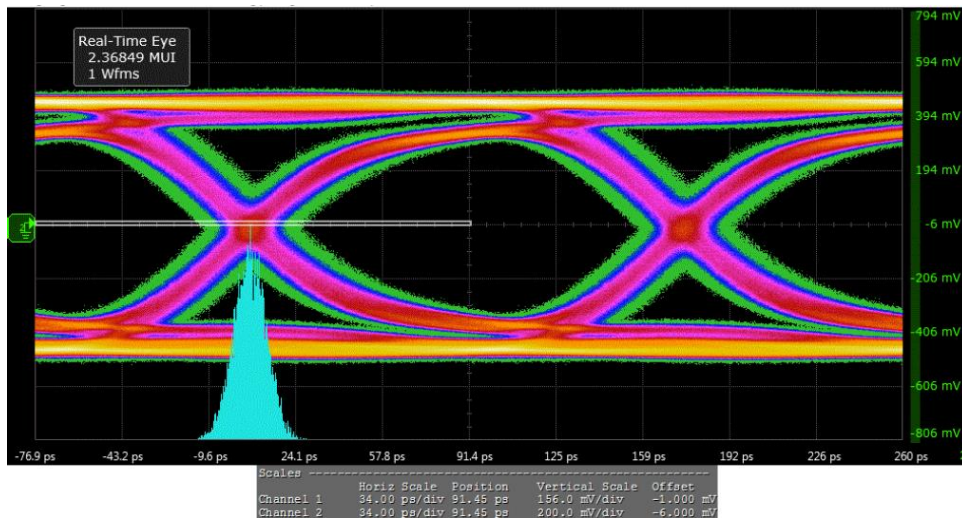
CONNECTION DIAGRAM



SUPPORTED RESOLUTIONS

12G-SDI Output	
4K2K @50/59.94/60Hz	SMPTE ST-2082
6G-SDI Output	
4K2K @23.98/24, 25, 29.97, 30Hz	SMPTE ST-2081
3G-SDI Output	
1080p @ 50/ 59.94 / 60Hz	SMPTE 424M, SMPTE 425M
HD-SDI Output	
720p @ 50Hz	SMPTE 296M -3
720p @ 60 / 59.94Hz	SMPTE 296M -1, -2
1080i @ 50Hz	SMPTE 274M -6
1080i @ 60 / 59.94Hz	SMPTE 274M -4, -5
1080p @ 24 / 23.98Hz	SMPTE 274M -10, -11
1080p @ 25Hz	SMPTE 274M -9
1080p @ 30 / 29.97Hz	SMPTE 274M -7, -8
SD-SDI Output	
NTSC	
PAL B,D,G,H,I	

SIGNAL MEASUREMENT



WARRANTY

The SELLER warrants the **CV-305KZ 12G/6G/3G/HD/SD-SDI to HDMI 2.0 Converter** to be free from defects in the material and workmanship for 1 year from the date of purchase from the SELLER or an authorized dealer. Should this product fail to be in good working order within 1 year warranty period, The SELLER, at its option, repair or replace the unit, provided that the unit has not been subjected to accident, disaster, abuse or any unauthorized modifications including static discharge and power surges.

Unit that fails under conditions other than those covered will be repaired at the current price of parts and labor in effect at the time of repair. Such repairs are warranted for 90 days from the day of reshipment to the BUYER. If the unit is delivered by mail, customers agree to insure the unit or assume the risk of loss or damage in transit. Under no circumstances will a unit be accepted without a return authorization number.

The warranty is in lieu of all other warranties expressed or implied, including without limitations, any other implied warranty or fitness or merchantability for any particular purpose, all of which are expressly disclaimed.

Proof of sale may be required in order to claim warranty. Customers outside Taiwan are responsible for shipping charges to and from the SELLER. Cables are limited to a 30 day warranty and cable must be free from any markings, scratches, and neatly coiled.

The content of this manual has been carefully checked and is believed to be accurate. However, The SELLER assumes no responsibility for any inaccuracies that may be contained in this manual. The SELLER will NOT be liable for direct, indirect, incidental, special, or consequential damages resulting from any defect or omission in this manual, even if advised of the possibility of such damages. **Also, the technical information contained herein regarding the CV-305KZ features and specifications is subject to change without further notice.**